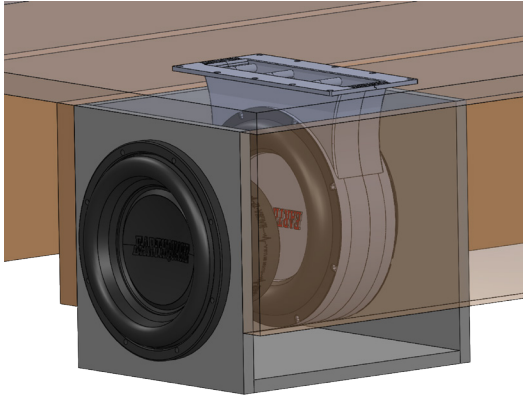


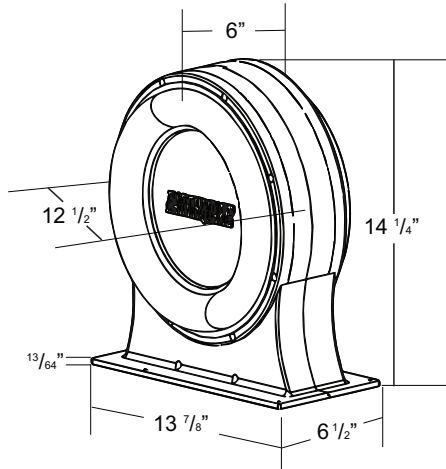


The Sound That Will Move You

PUMP



Pump up your enclosure dB: Home Audio, Pro Audio, OEM



Cutout Dimensions:
5 1/2" x 12 3/4" (140 mm x 324 mm)



Earthquake Sound is proud to present to its latest Patented technology: **PUMP-12** passive radiator module. When using the **PUMP-12** in a sealed enclosure, there is one peak of resonant frequency at which the amplifier draws the least current. The **PUMP-12** will add up to +6db of bass without any need of additional input power and also features a horn loaded neck, an increase in speaker impedance and an anti-rocking dual suspension system.



EMAIL YOUR INQUIRES TO: US-SALES@EARTHQUAKESOUND.COM

2727 McCone Ave. Hayward, CA 94545 USA

US TOLL FREE (800) 576-7944 | (510) 732-1000 | WWW.EARTHQUAKESOUND.COM

©2017 Earthquake Sound Corporation. ALL RIGHTS RESERVED

Visit us at:
CEDIA 2017
San Diego
Booth # 5500